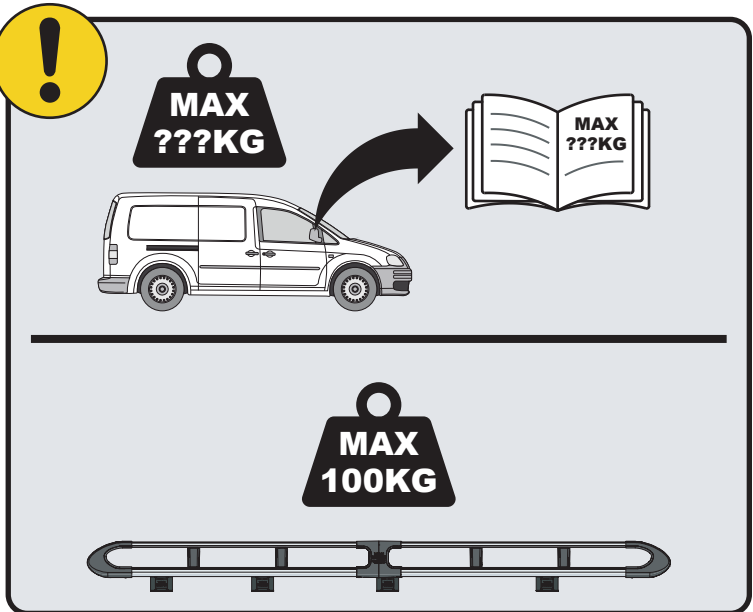
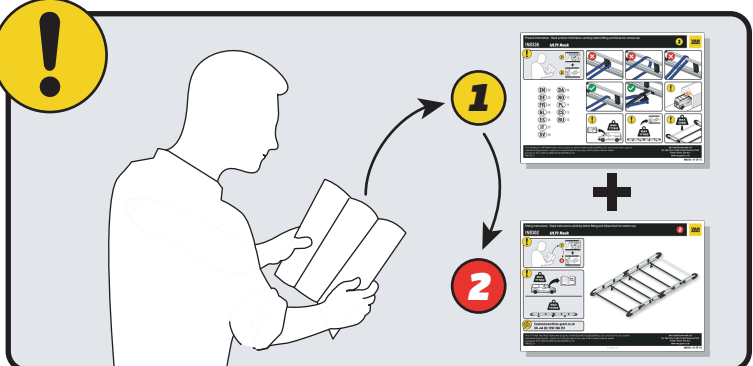


IN8319

ULTI Rack +



 Customercare@van-guard.co.uk
UK +44 (0) 1392 368 351



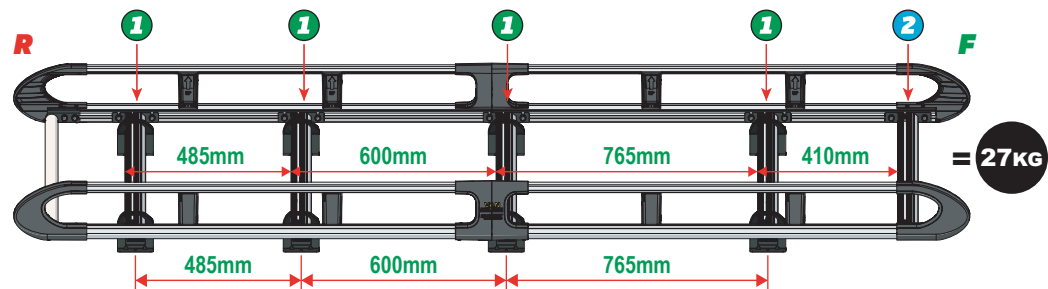
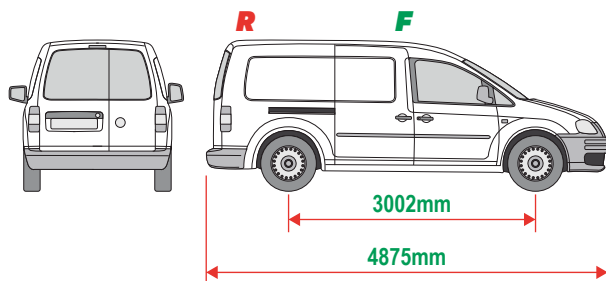
This FITTING INSTRUCTION is the property of VAN GUARD ACCESSORIES LTD. and must not be used for manufacturing purposes, copied nor communicated in any way to third parties without written permission from VAN GUARD ACCESSORIES LTD.
IN8319_B (CN:00356)

Van Guard Accessories Ltd
Fair Oak Close, Exeter Airport Business Park,
Exeter, Devon, EX5 2UL
www.van-guard.co.uk

THIS INSTRUCTION COVERS THE FOLLOWING MODELS - CHECK YOU ARE FITTING THE CORRECT MODEL BEFORE PROCEEDING

VGUR-248

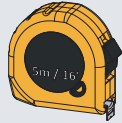
Volkswagen Caddy: 2010-2020
L2H1 (MAXI)
Twin Rear Doors



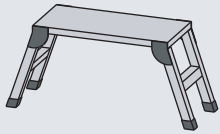
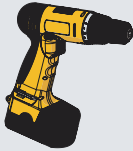
SUPPLIED COMPONENTS - CHECK ALL PARTS ARE PRESENT AND CORRECT BEFORE PROCEEDING (1 OF 2)

TOOLS REQUIRED

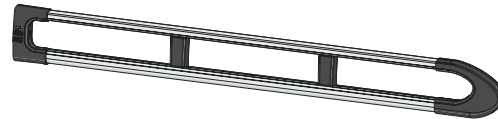
10MM X1



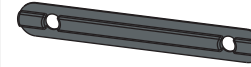
13MM X1



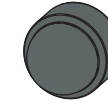
AS3537 X2
(2600 / A)



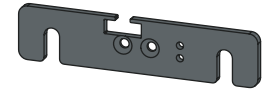
MA6118 X10



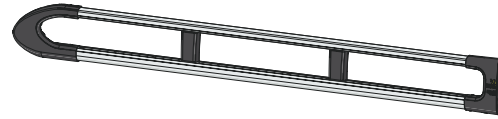
FX4241 X24



ME1622 X1



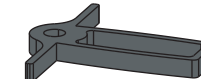
AS3536 X2
(2600 / B)



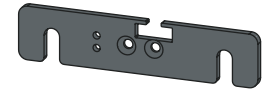
FX4008 X1



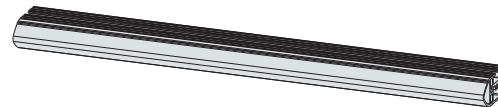
MA6145 X1



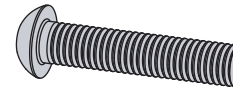
ME1623 X1



ME1626 X5
(1264mm)



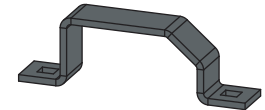
FX4001 X2
(M8X40)



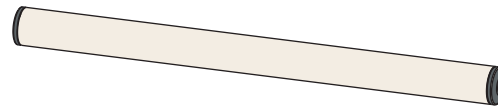
FX4235 X20
(M5X25)



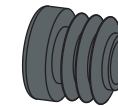
ME0203 X8



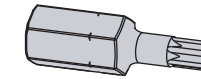
AS3158 X1
(1250mm)



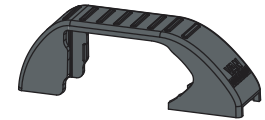
MA6007 X4



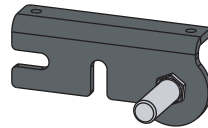
FX4248 X1
(T25)



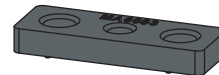
MA6065 X8



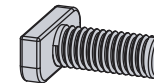
AS3590 X1



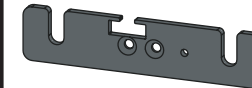
MA6093 X10



FX4239 X24
(M8X20)



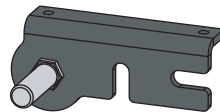
ME1620 X4



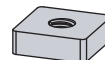
FX4016 X16
(M6)



AS3591 X1



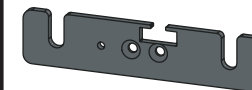
ME0316 X10



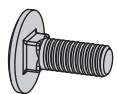
FX4240 X24
(M8)



ME1621 X4

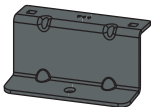


FX4042 X16
(M6X16)

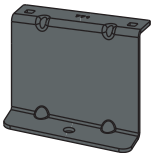


SUPPLIED COMPONENTS - CHECK ALL PARTS ARE PRESENT AND CORRECT BEFORE PROCEEDING (2 OF 2)

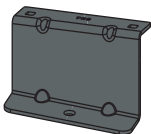
ME0711 X2



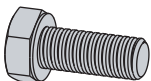
ME0771 X1



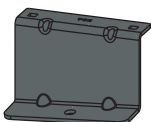
ME0765 X1



FX4018 X8
(M8X20)



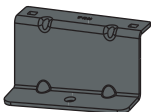
ME0766 X1



FX4019 X8
(M8)



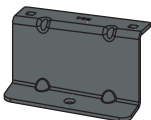
ME0768 X1



MA6018 X8



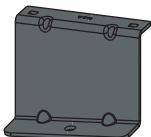
ME0769 X1



MA6025 X8



ME0770 X1



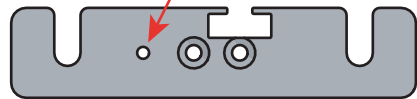
01

1L



X4

1R



X4



2L



X1

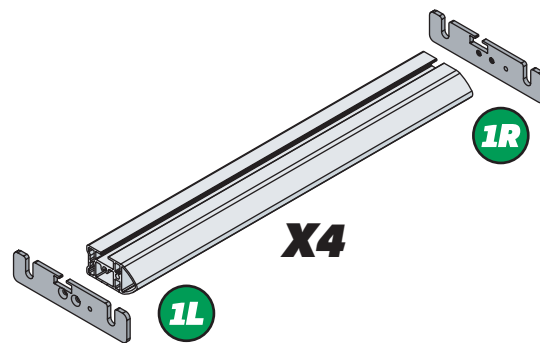
2R



X1

02

1R

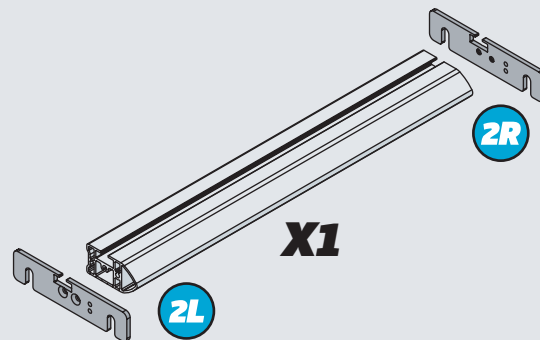


X4

1L



2R



X1

2L



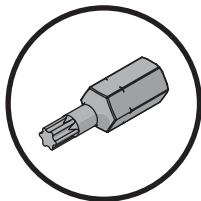
03

01

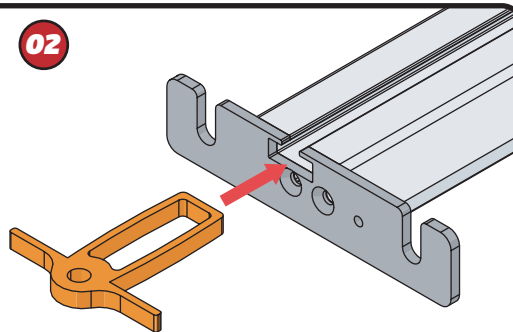
FX4248



+



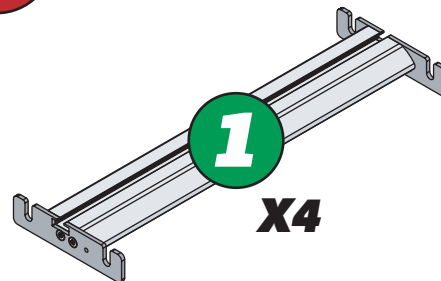
02



04

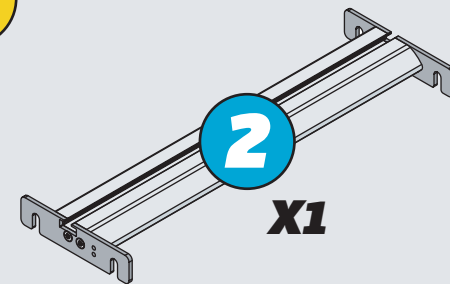


1



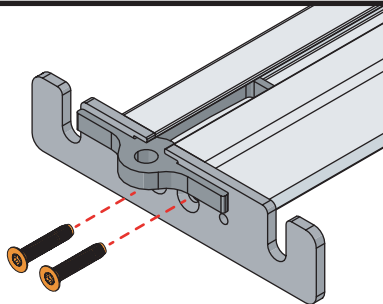
X4

2

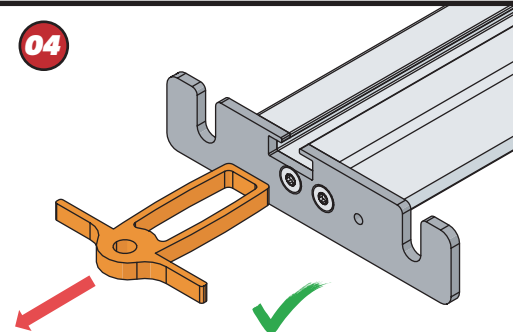


X1

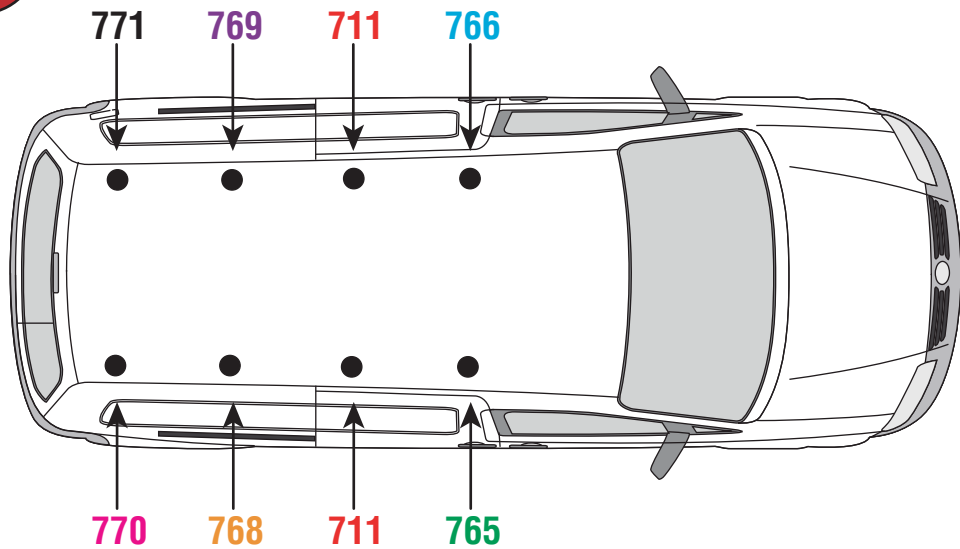
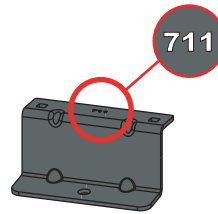
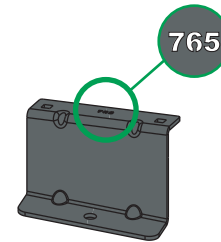
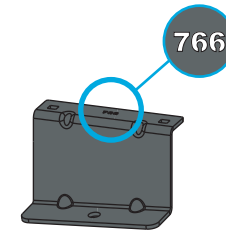
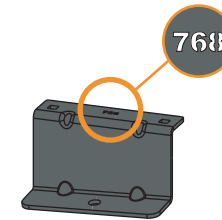
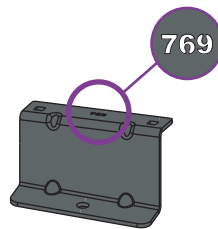
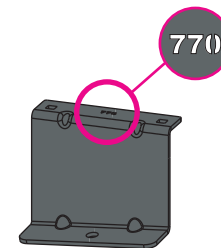
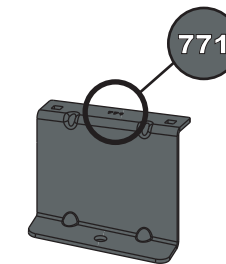
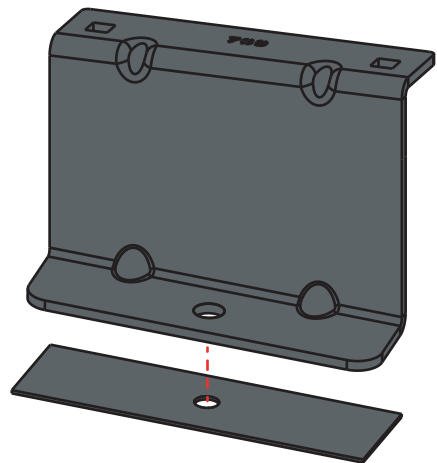
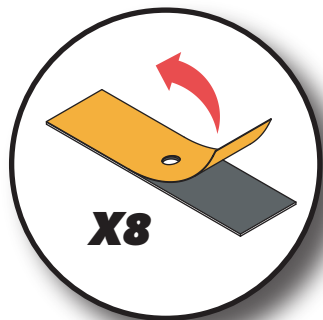
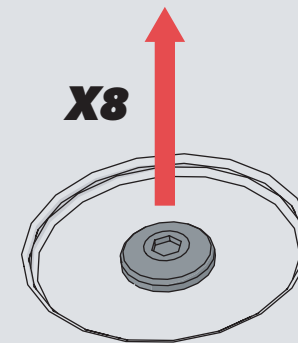
03



04

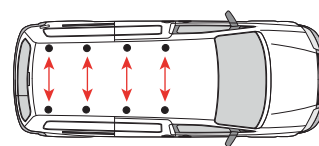


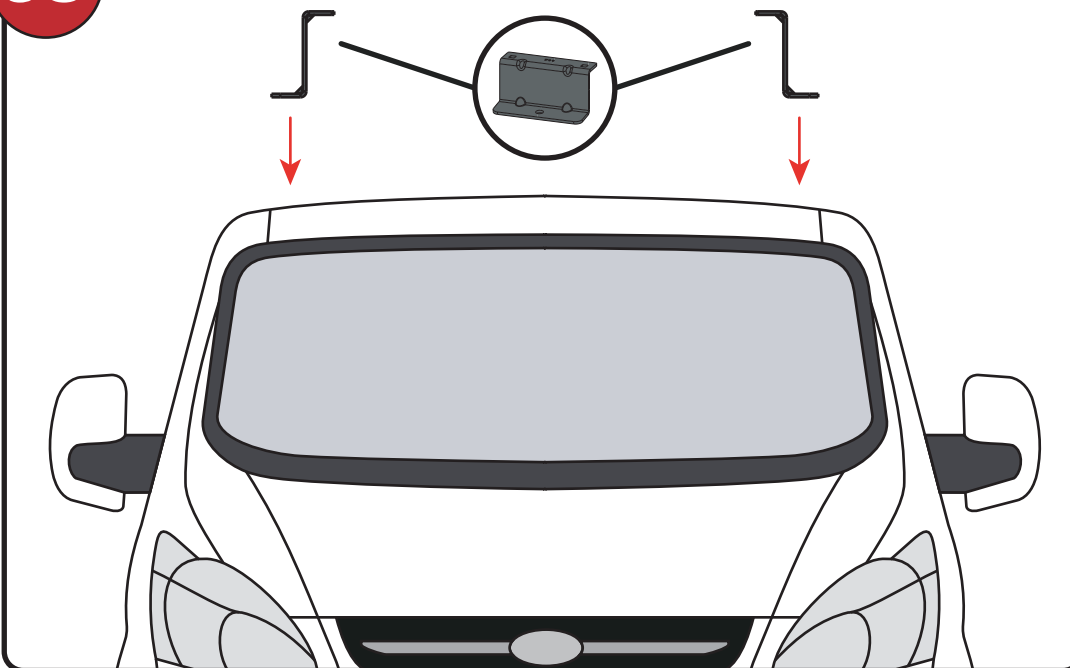
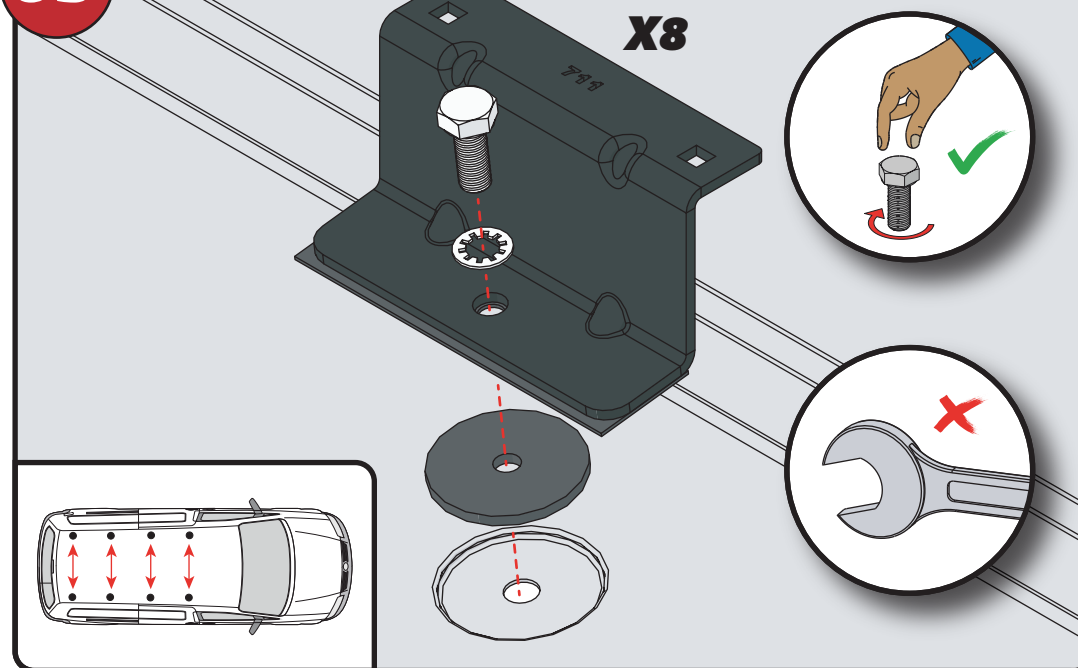
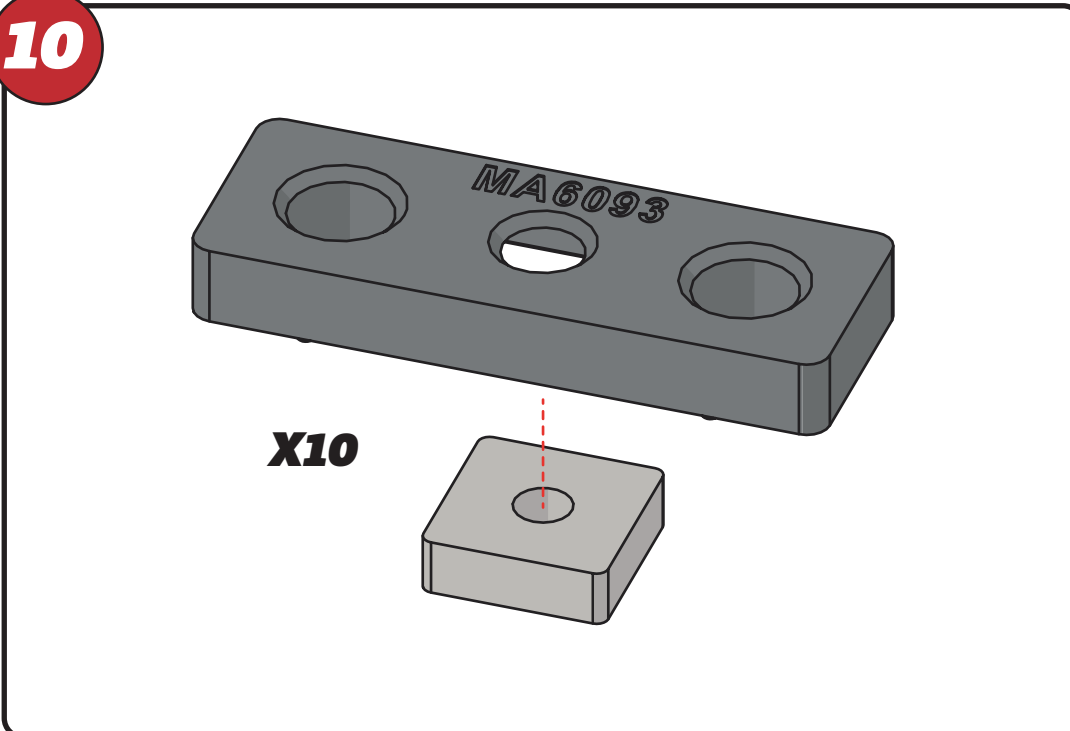
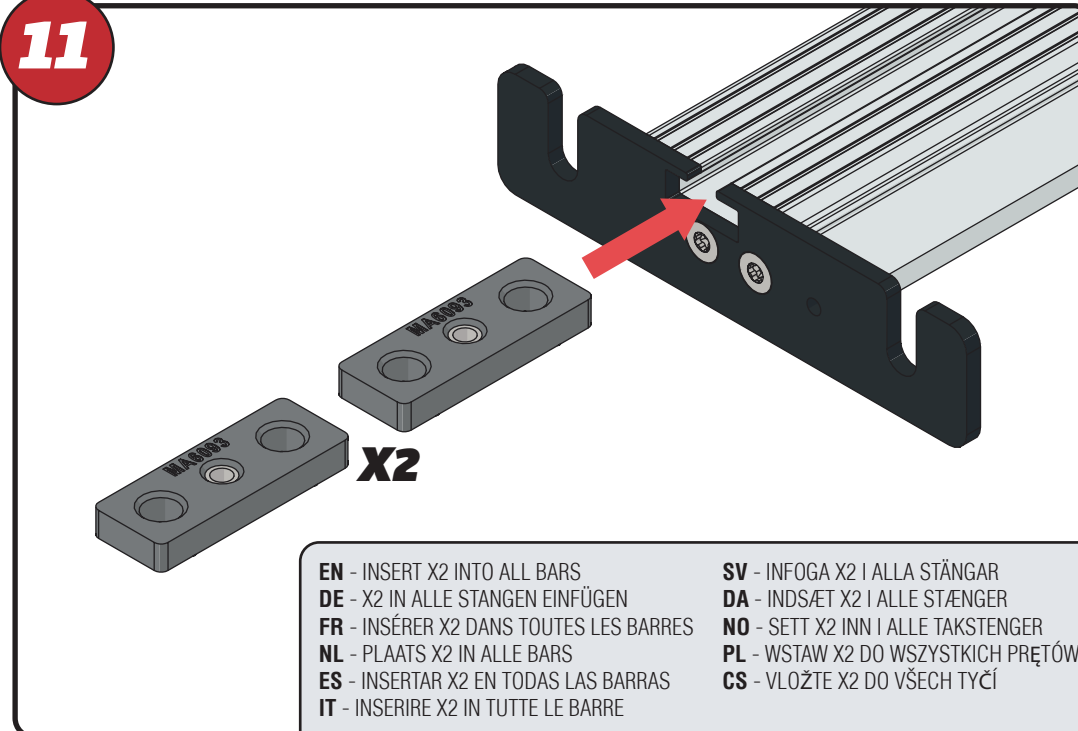
11Nm

05**711****765****766****768****769****770****771****06****07****X8****FX4008**

EN - STICK GASKETS TO ALL BRACKETS
DE - KLEBEN SIE DIE DICHTUNG AN ALLEN HALTERUNGEN
FR - COUSSINETS ADHÉSIFS À TOUS LES SUPPORTS
NL - PLAK PAKKING OP ALLE BEUGELS
ES - PEGA LAS ALMOHADILLAS A TODOS LOS SOPORTES
IT - ADESIVI GUARNIZIONI A TUTTE LE STAFFE

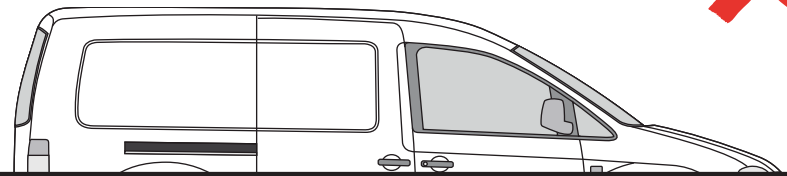
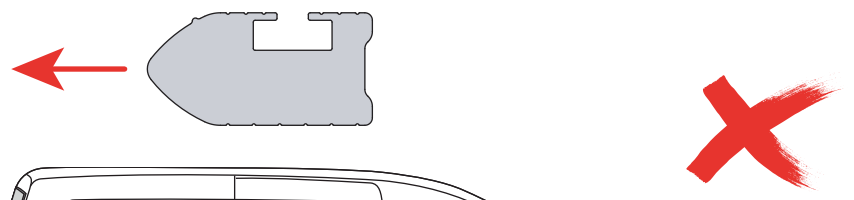
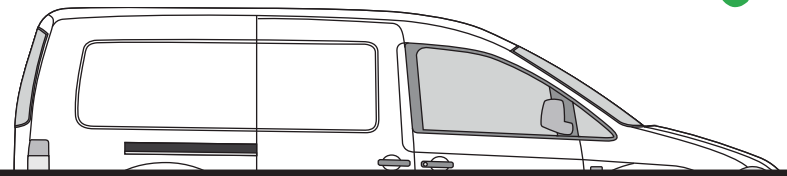
SV - FÄST GUMMI PÅ ALLA FÄSTEN
DA - KLÆB GUMMI PÅ ALLE BESLAG
NO - PLIST GUMMI PÅ ALLE BRACKETTER
PL - NAKLEJ USZCZELKI DO WSZYSTKICH WSPORNIKÓW
CS - PŘILEPTE TĚSNĚNÍ NA VŠECHNY DRŽÁKY



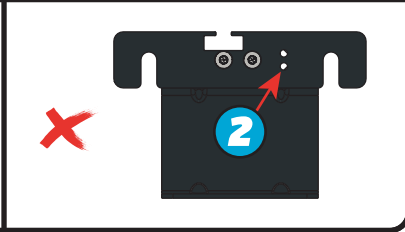
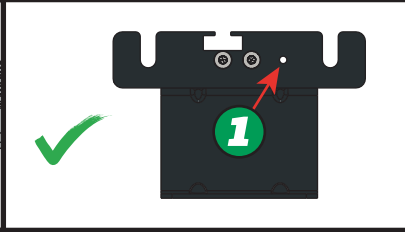
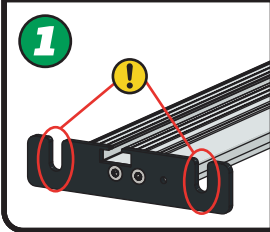
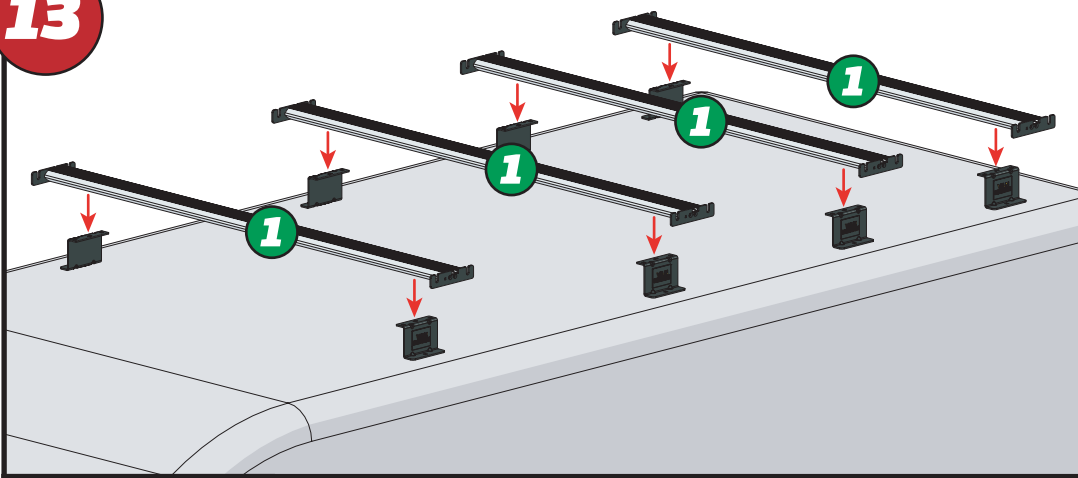
08**09****10****11**

- | | |
|---|---|
| EN - INSERT X2 INTO ALL BARS | SV - INFOGA X2 I ALLA STÄNGAR |
| DE - X2 IN ALLE STANGEN EINFÜGEN | DA - INDSÆT X2 I ALLE STÆNGER |
| FR - INSÉRER X2 DANS TOUTES LES BARRES | NO - SETT X2 INN I ALLE TAKSTENGER |
| NL - PLAATS X2 IN ALLE BARS | PL - WSTAW X2 DO WSZYSTKICH PRĘTÓW |
| ES - INSERTAR X2 EN TODAS LAS BARRAS | CS - VLOŽTE X2 DO VŠECH TYČÍ |
| IT - INSERIRE X2 IN TUTTE LE BARRE | |

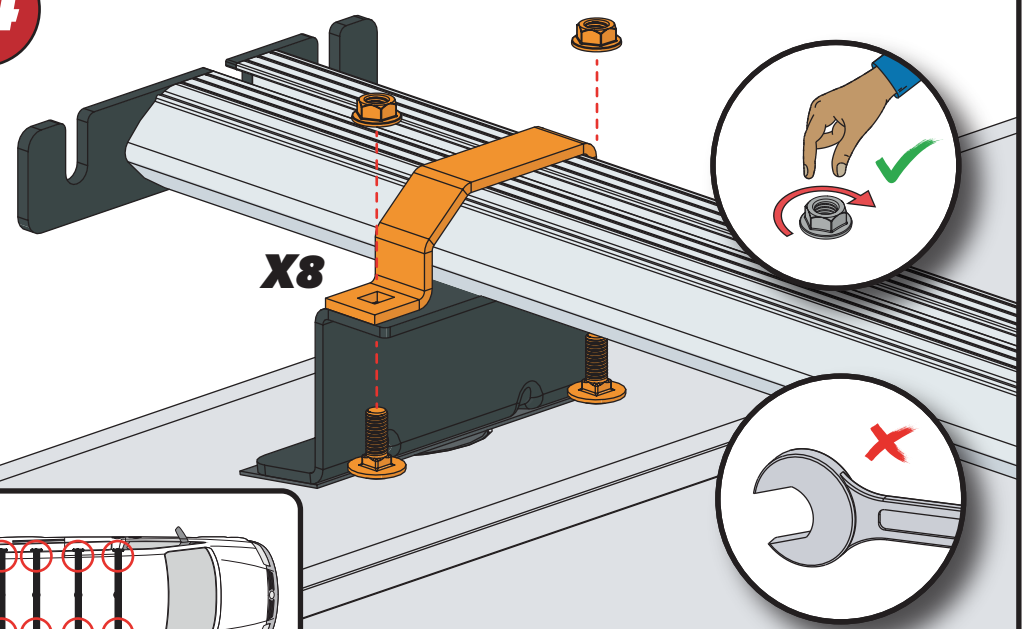
12



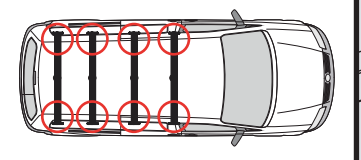
13



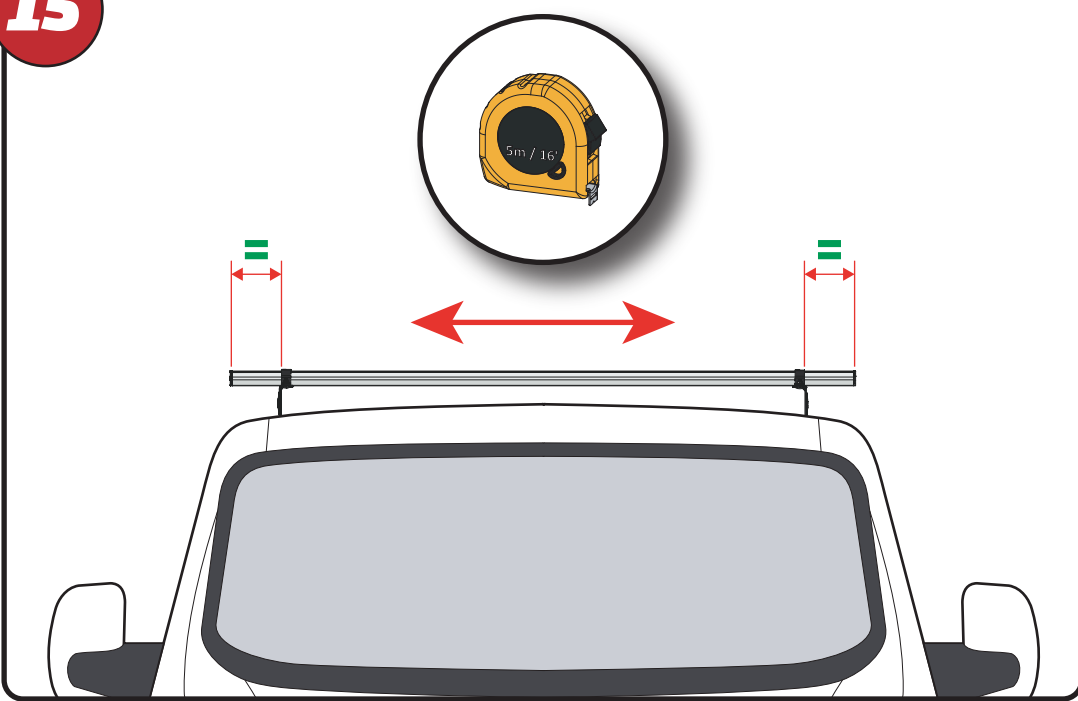
14



X8



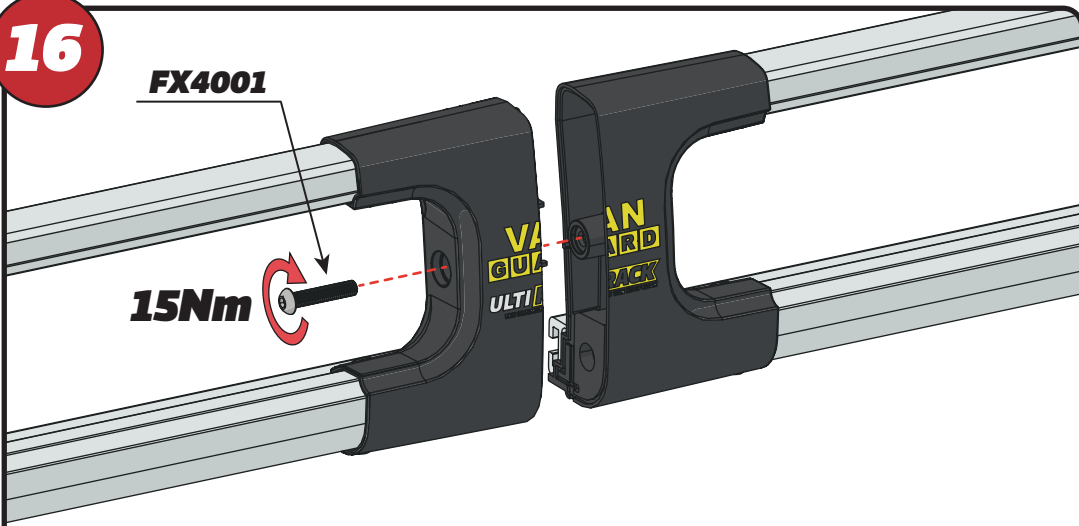
15



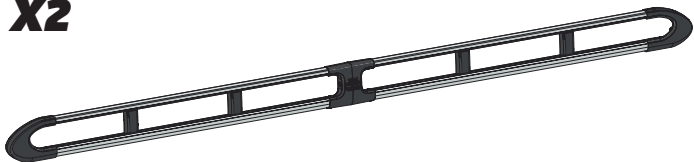
16

FX4001

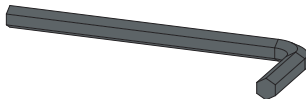
15Nm



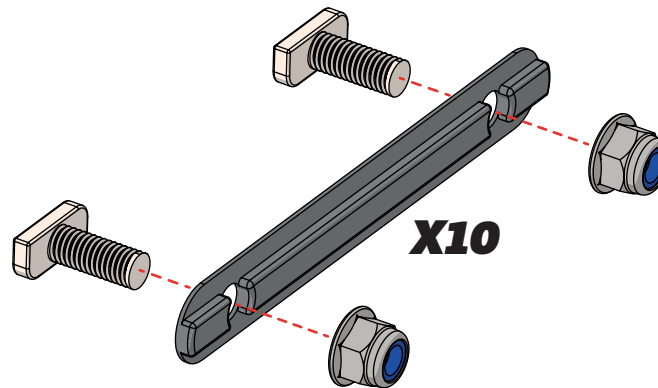
X2



FX4008

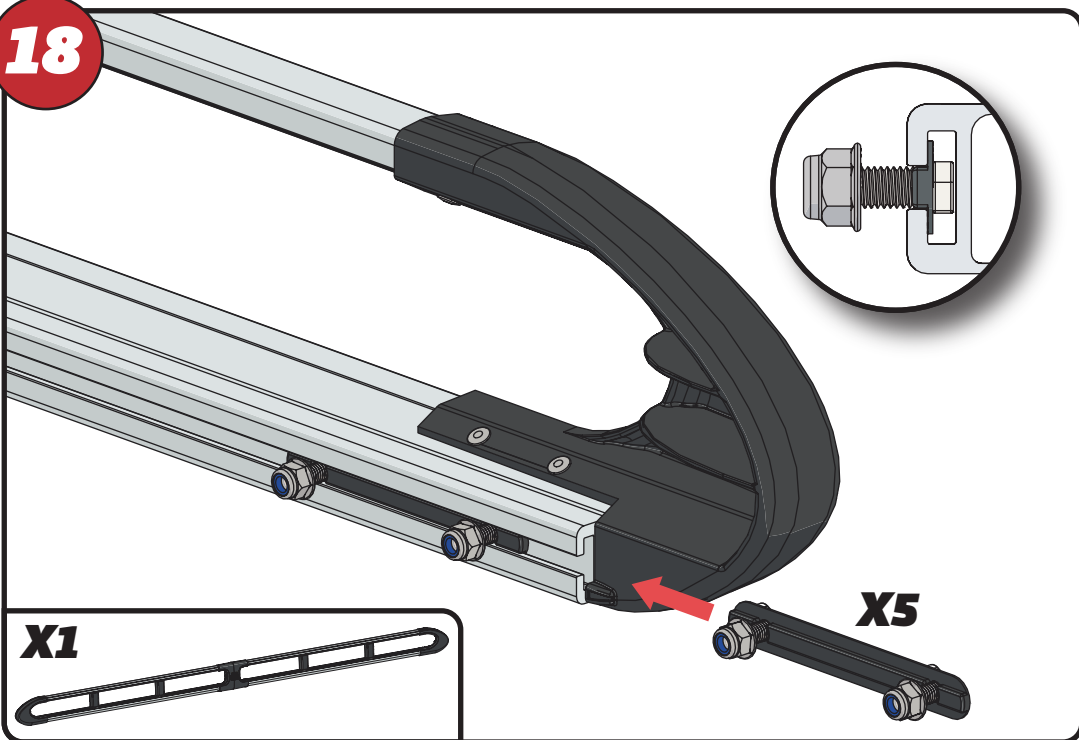


17



X10

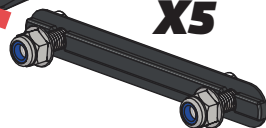
18



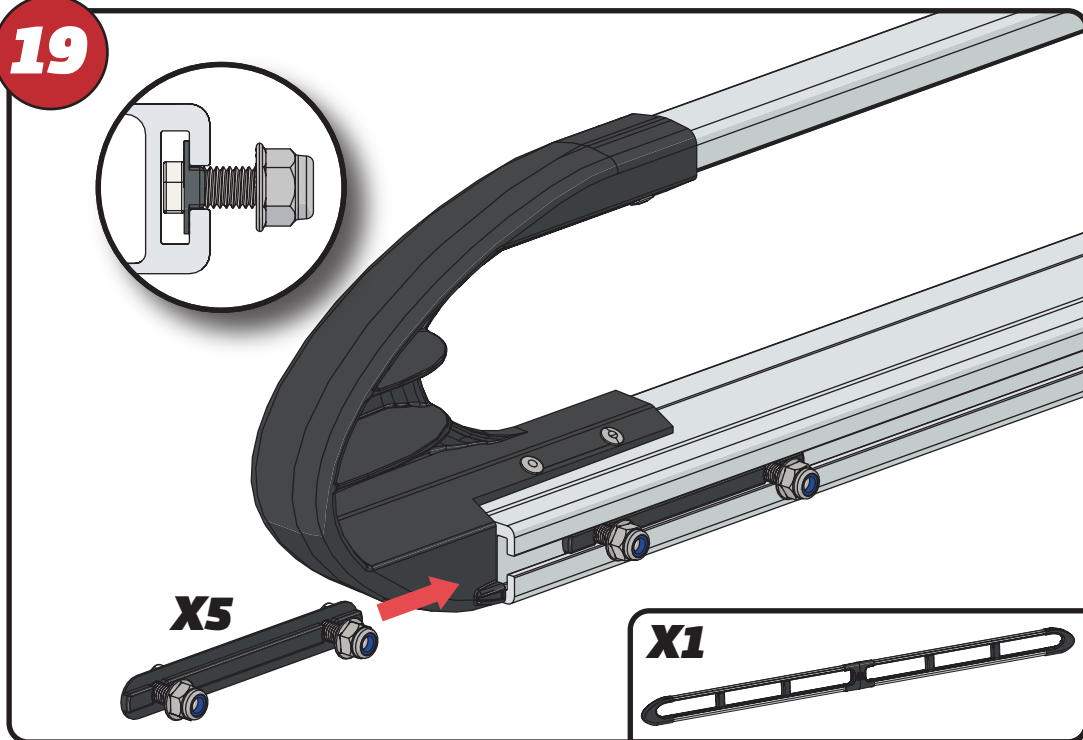
X1



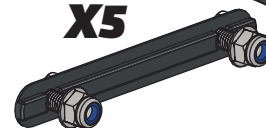
X5



19



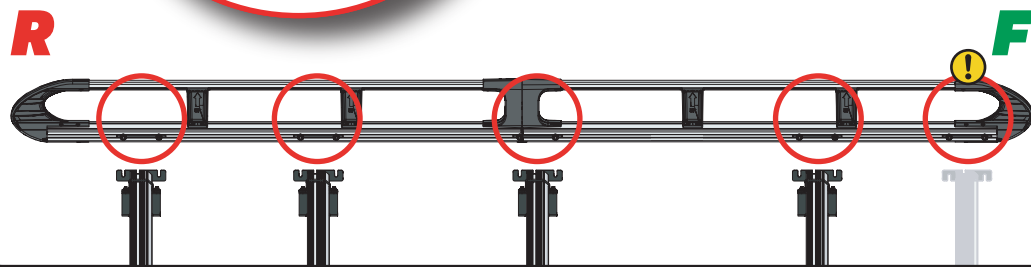
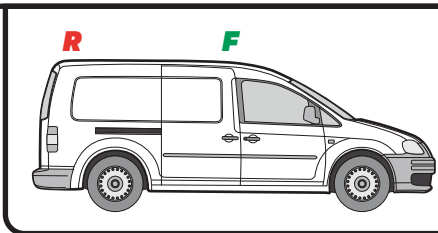
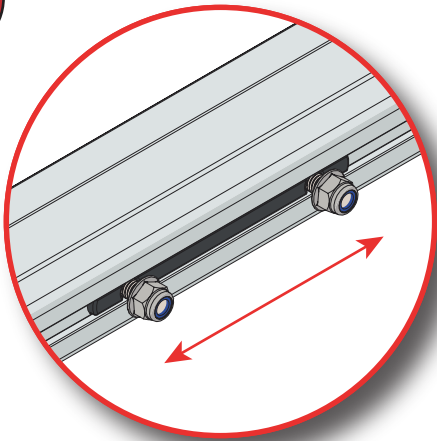
X5



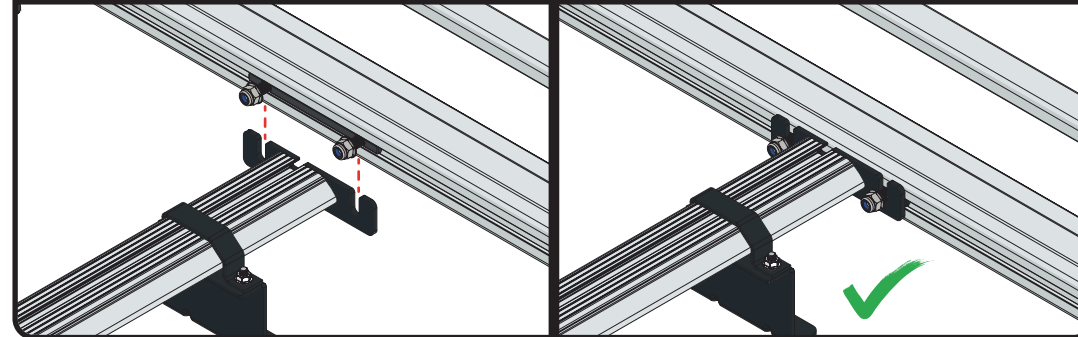
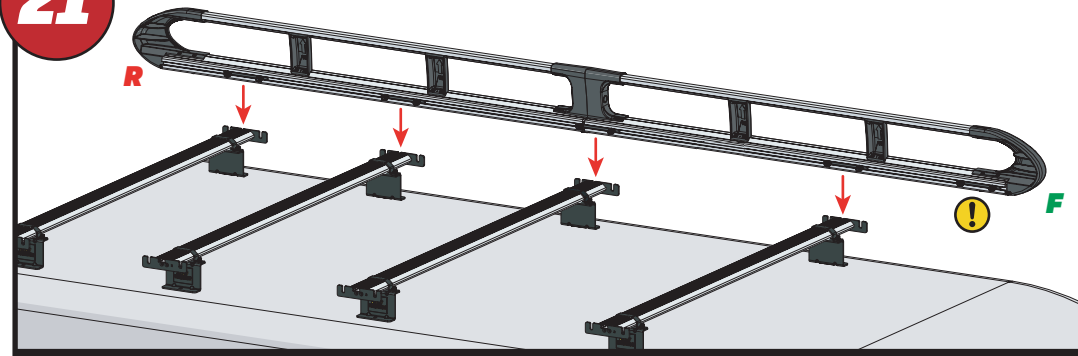
X1



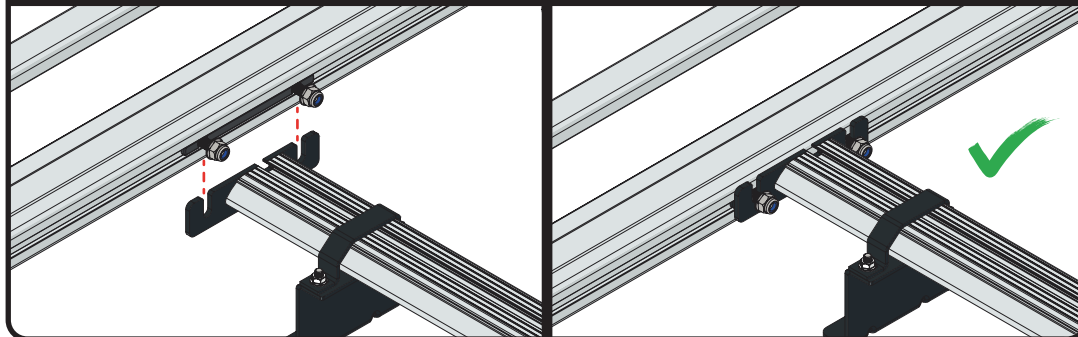
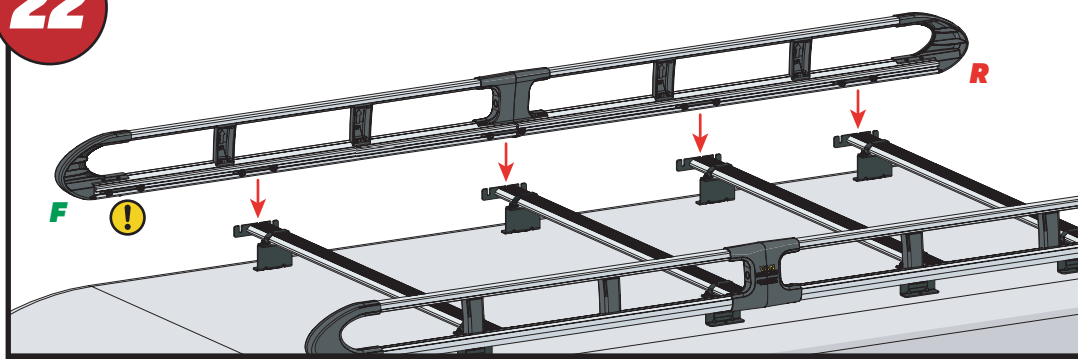
20



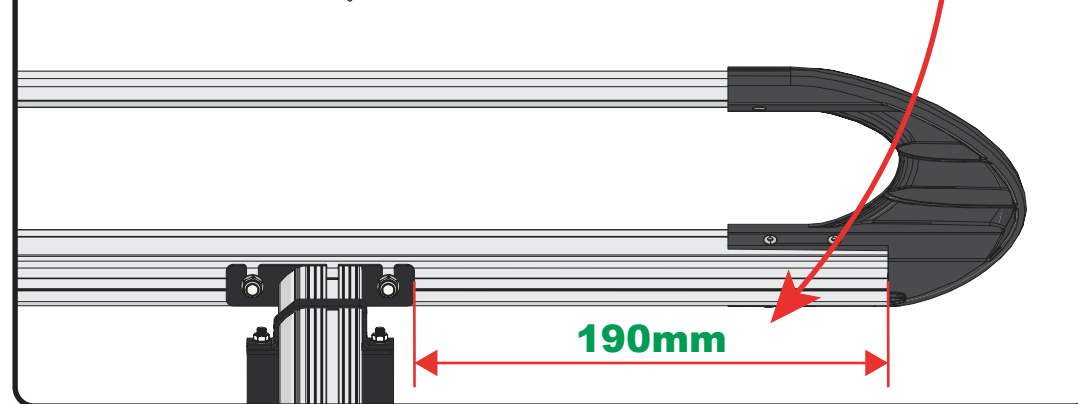
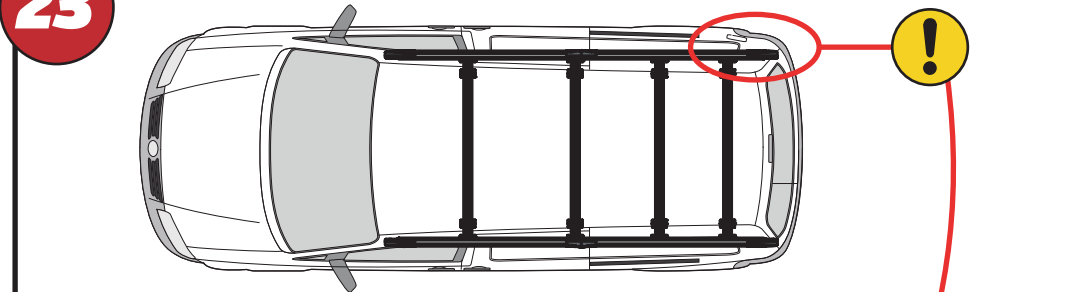
21

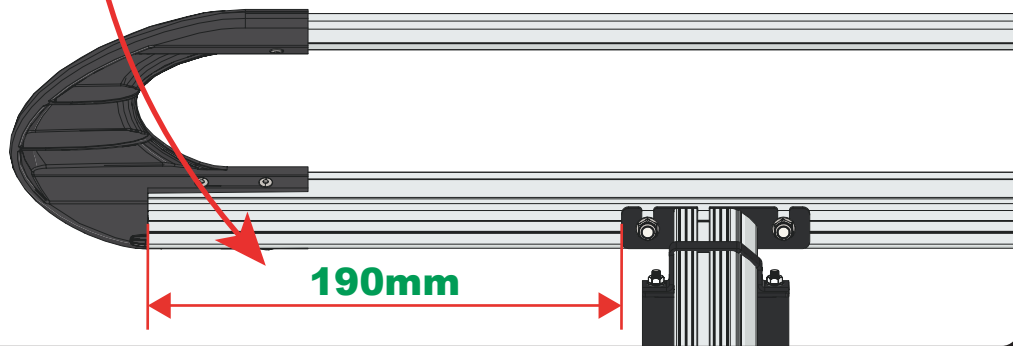
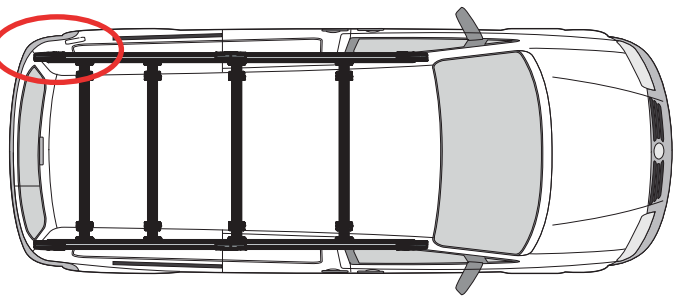
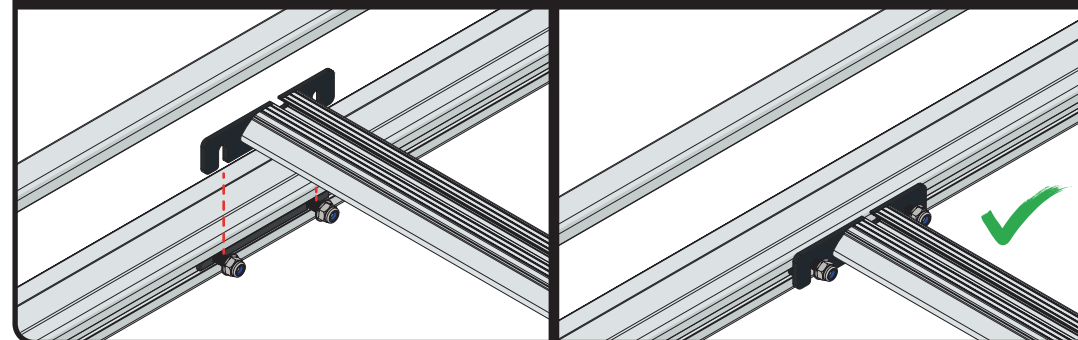
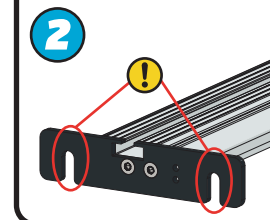
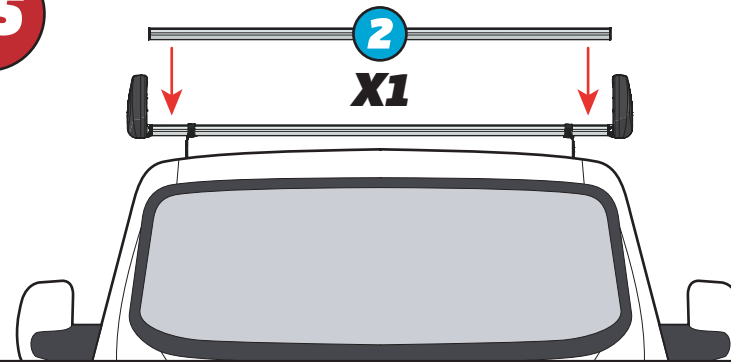


22

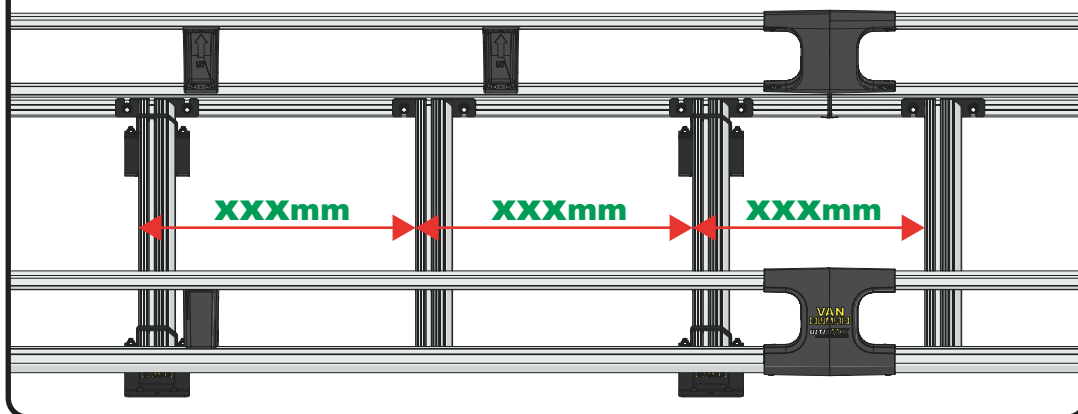
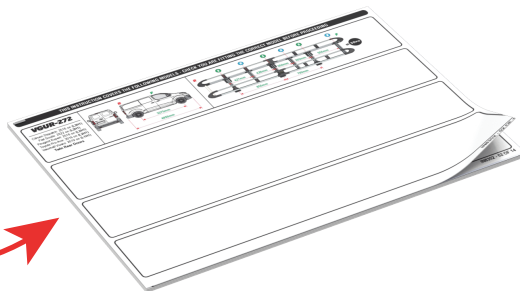
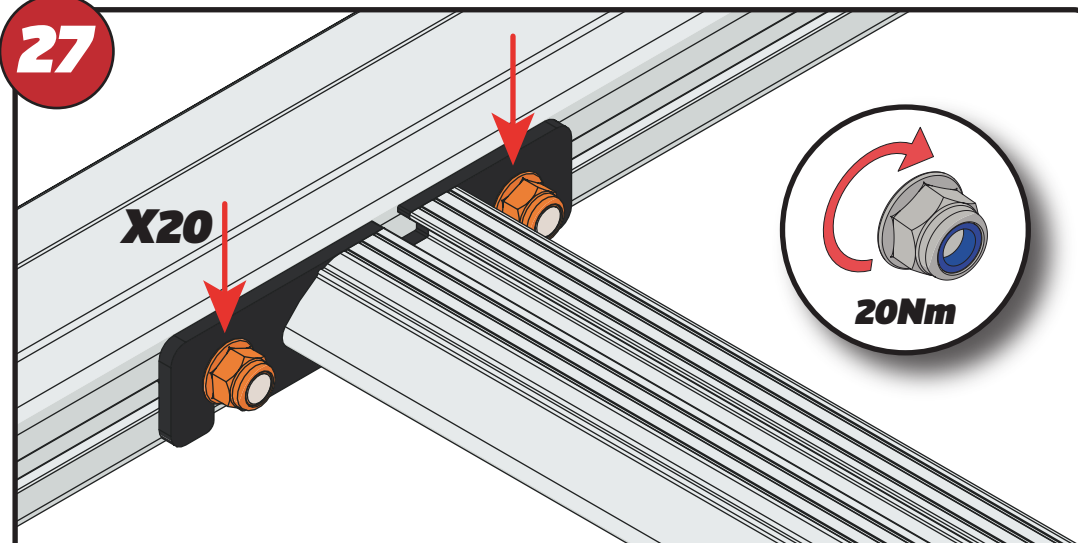


23



24**25****26**

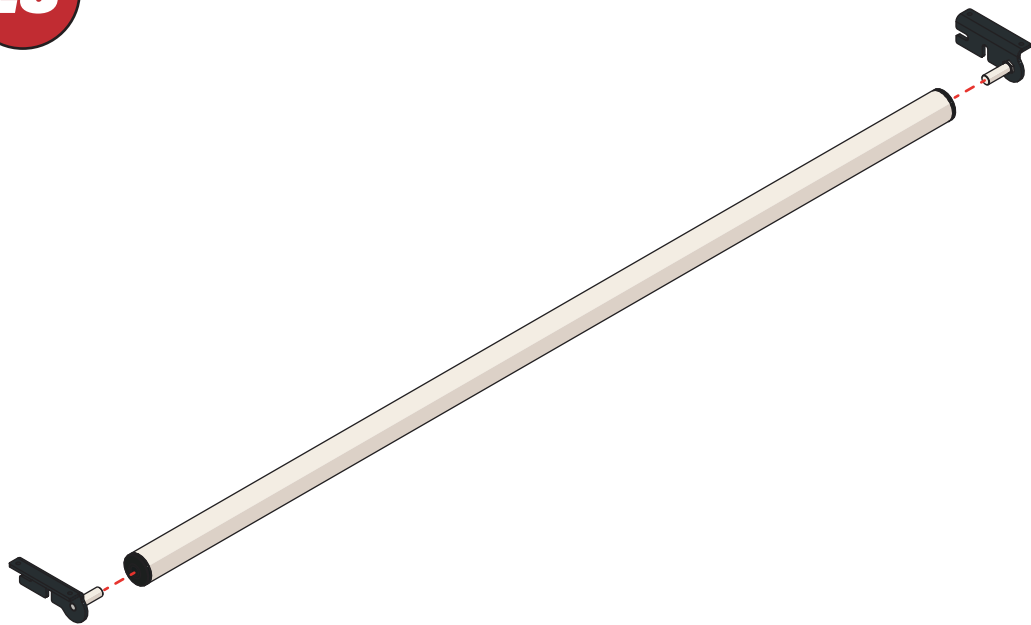
XXX =
PAGE 2 OF 14

**27**

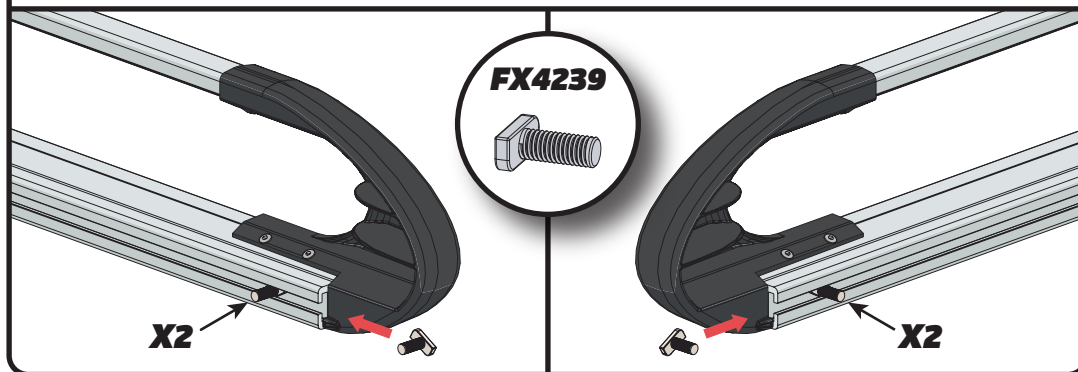
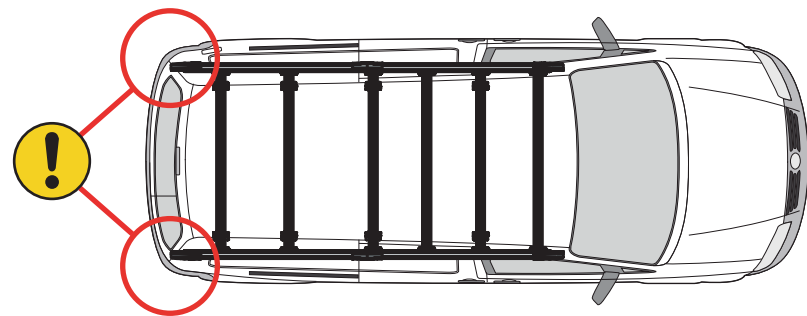
EN - TIGHTEN ALL OF THE CROSS BARS
 DE - ALLE QUERSTANGEN FESTZIEHEN
 FR - SERREZ TOUTES LES BARRES TRANSVERSALES
 NL - DRAAI ALLE DWARSBALK VAN HET DAK AAN
 ES - APRIETE TODAS LAS BARRAS TRANSVERSALES
 IT - STRINGERE TUTTE LE BARRE TRASVERSALI

SV - SKRU UPP ALLA KORSSTANGAR
 DA - SKRU ALLE TAGBØJLER OP
 NO - SKRU OPP ALLE TVERRSTENGER
 PL - DOKRĘCIĆ WSZYSTKIE POPRZECZKI
 CS - VŠECHNY PŘÍČNÉ TYČE SEŠROUJTE

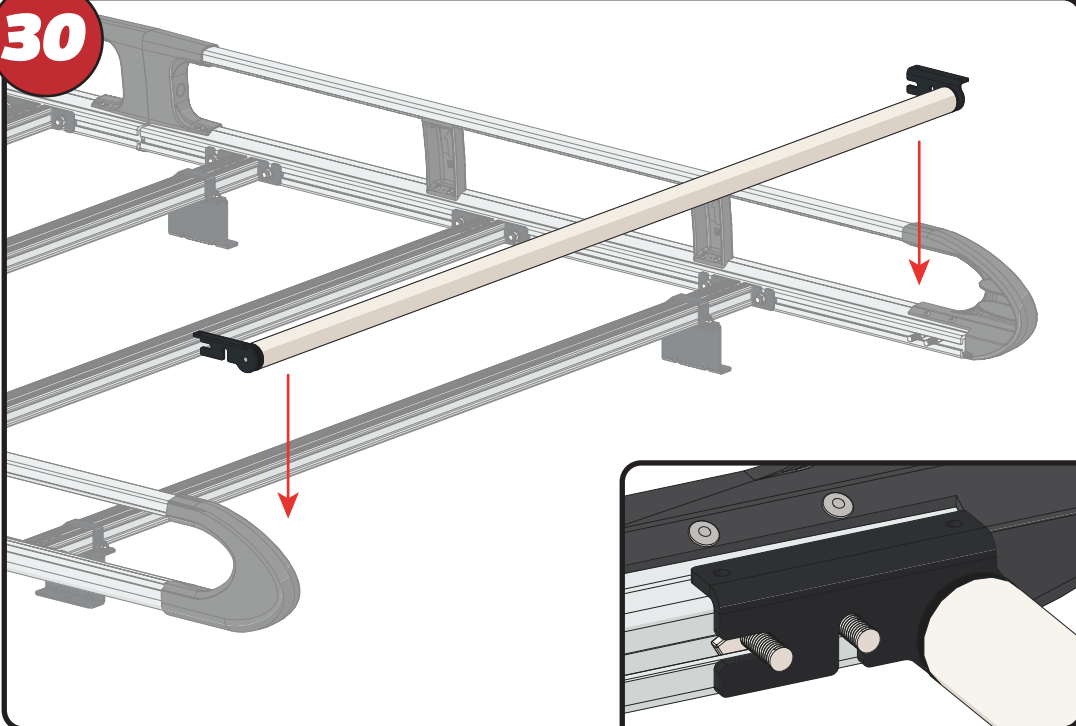
28



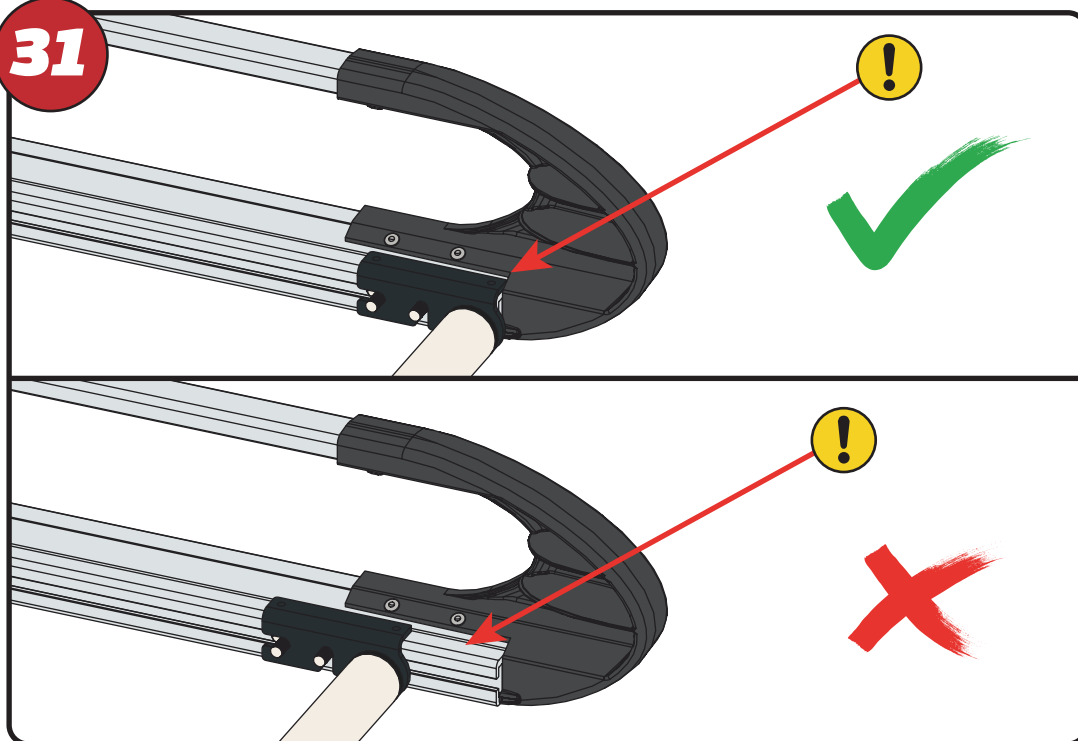
29



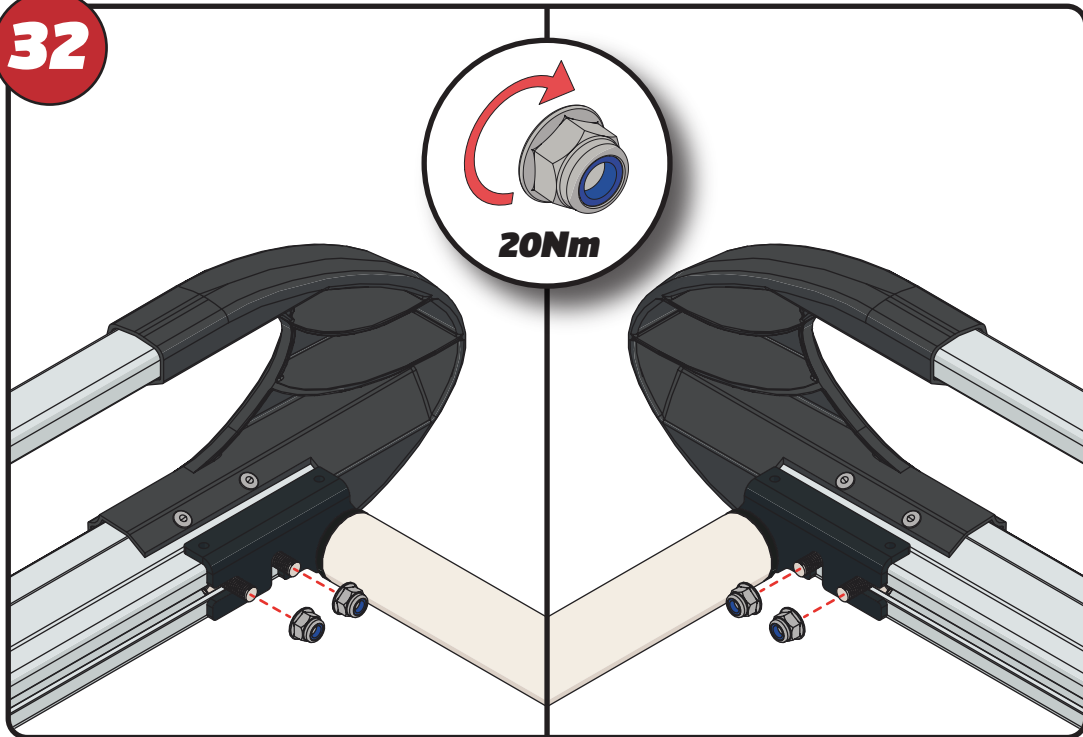
30



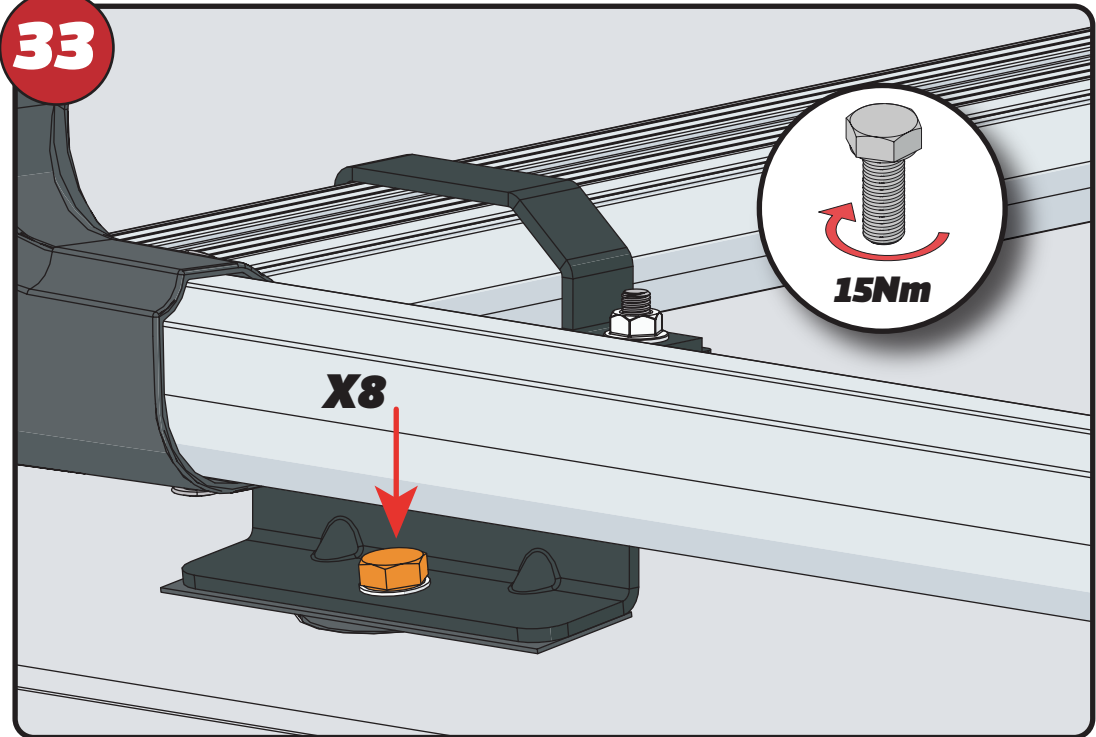
31



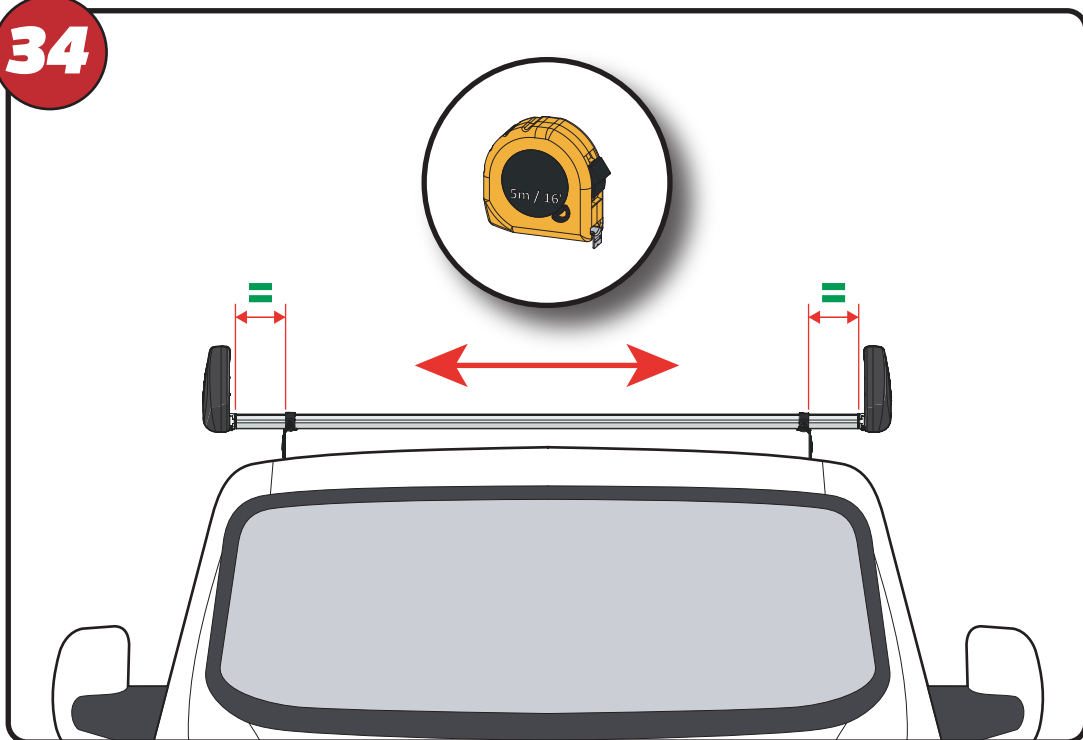
32



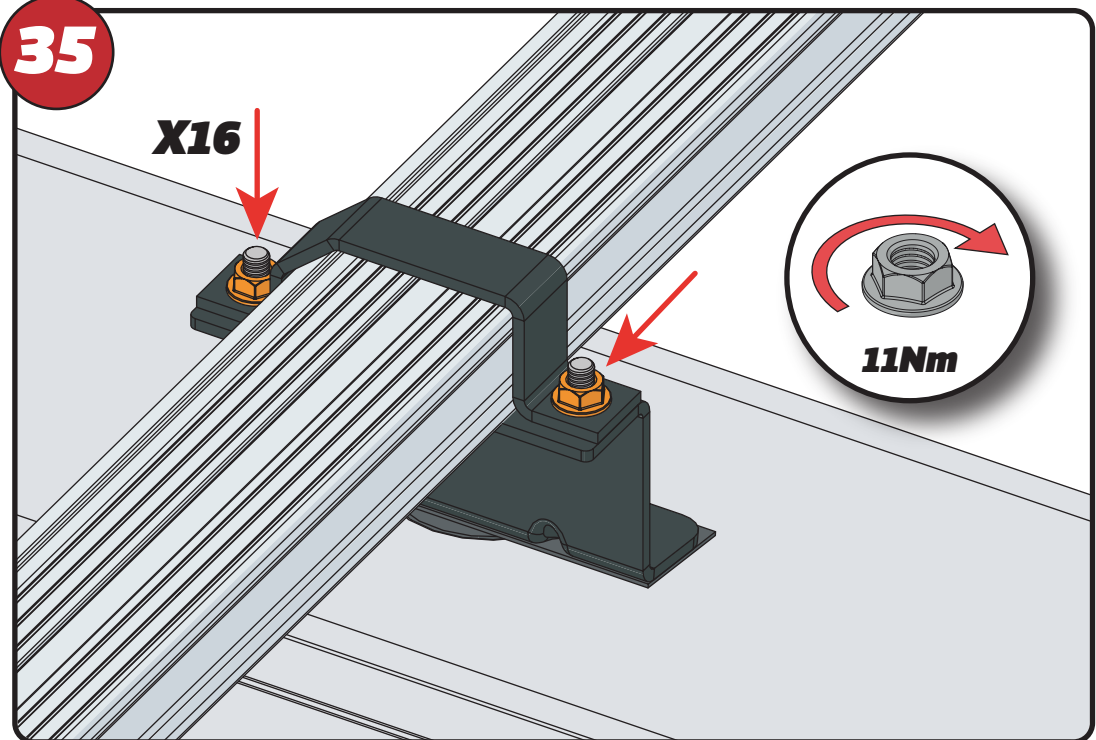
33



34



35

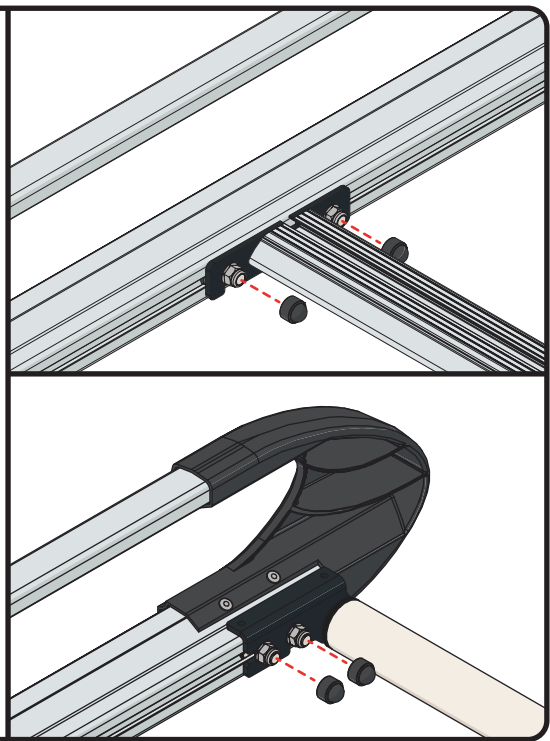


36



FX4241

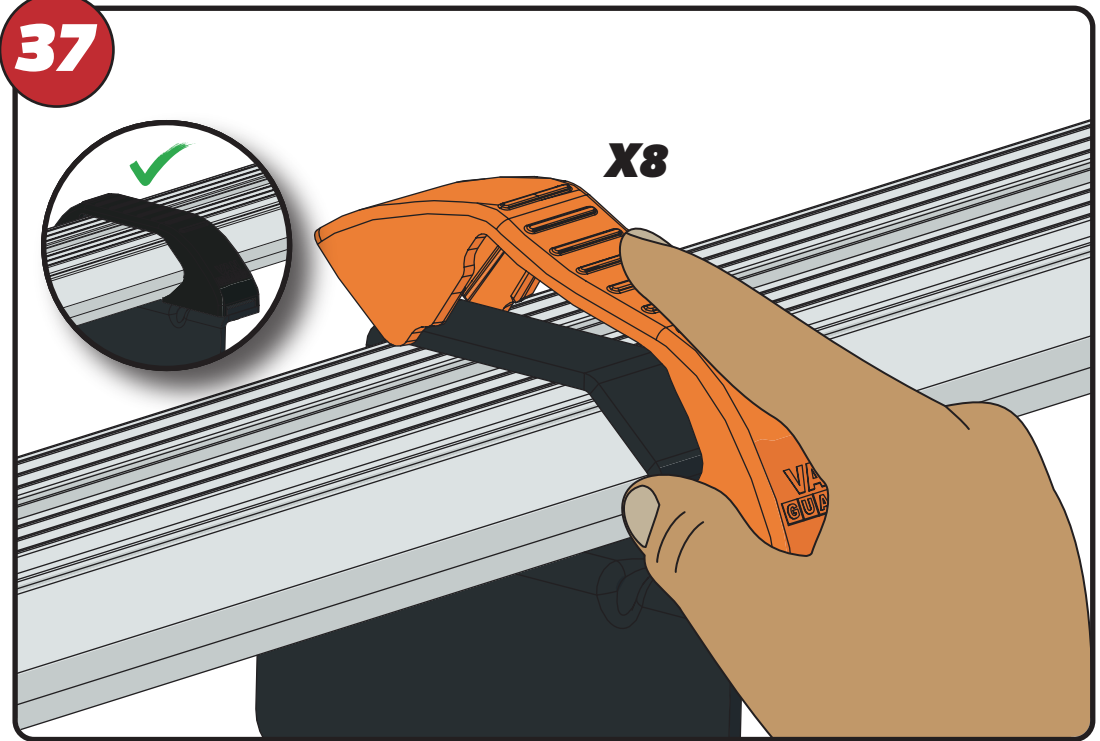
X24



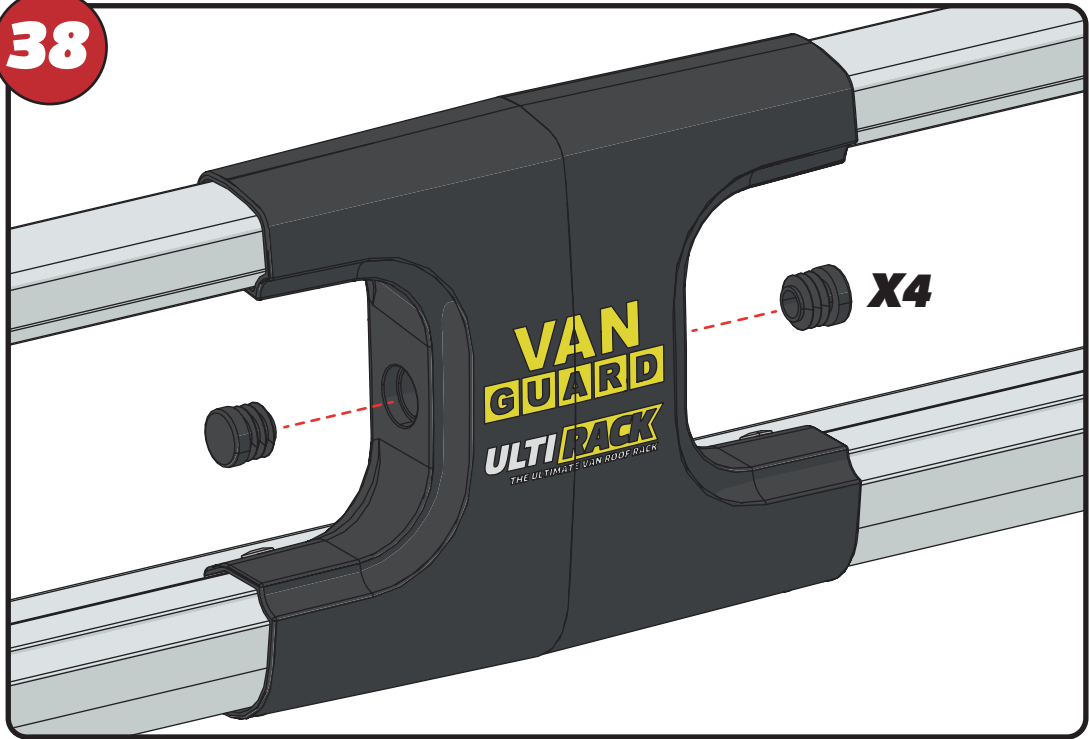
37



X8



38



VAN GUARD
ULTI RACK
THE ULTIMATE VAN ROOF RACK

X4

39

